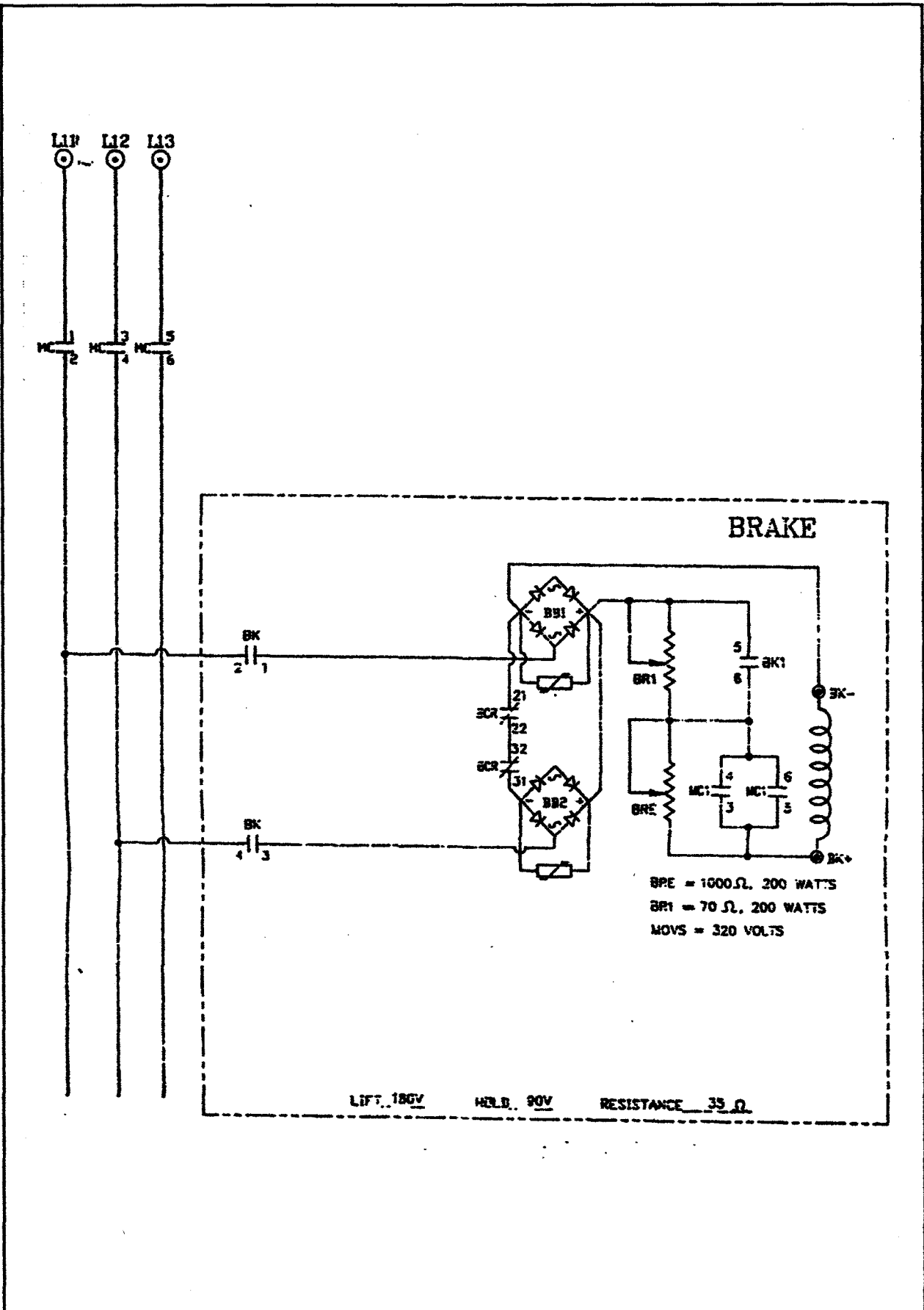


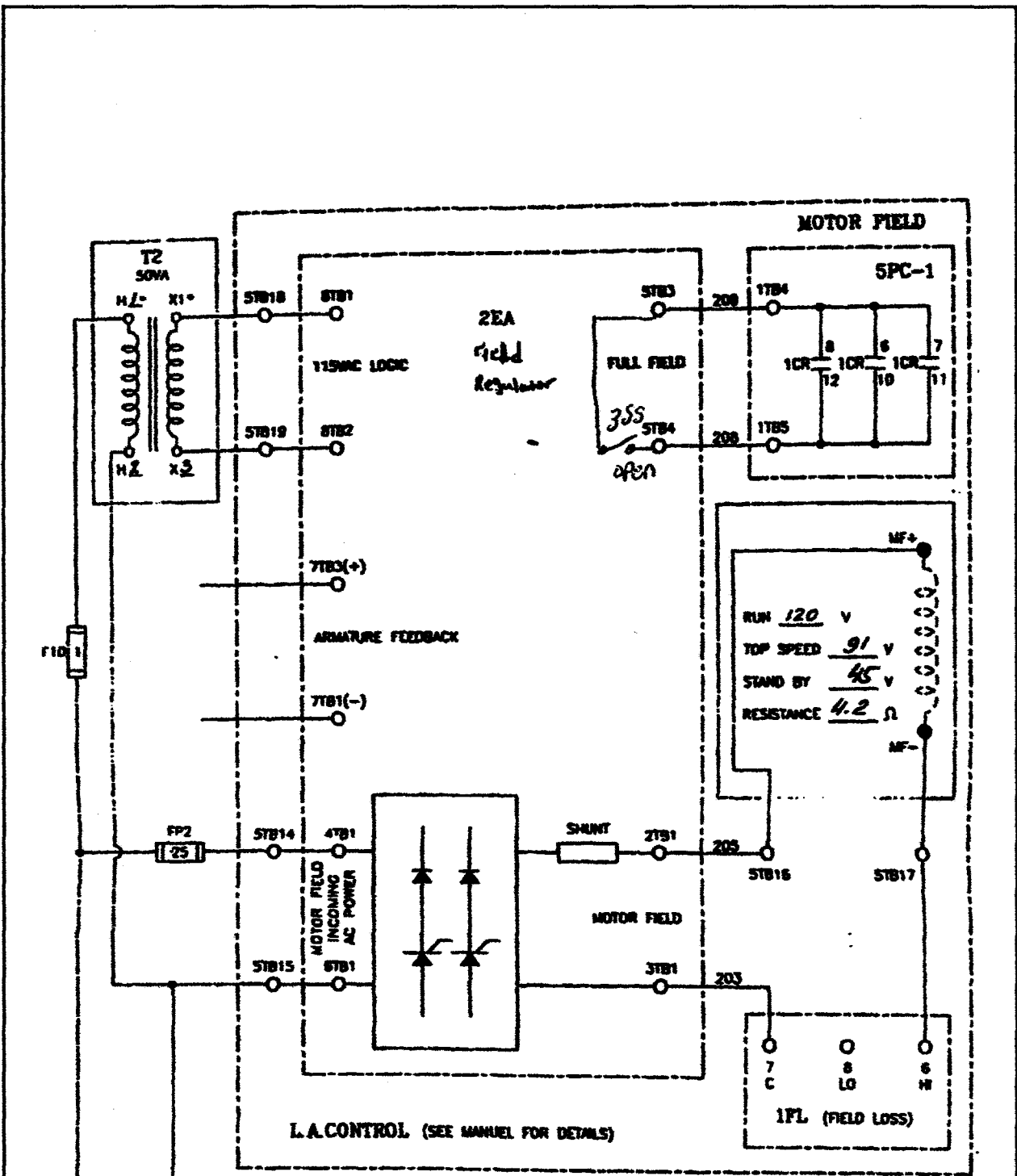
POWER DISTRIBUTION

NOTES

JOB NAME : _____
 DATE : _____
 DRAWN BY : JF DWG. NO _____

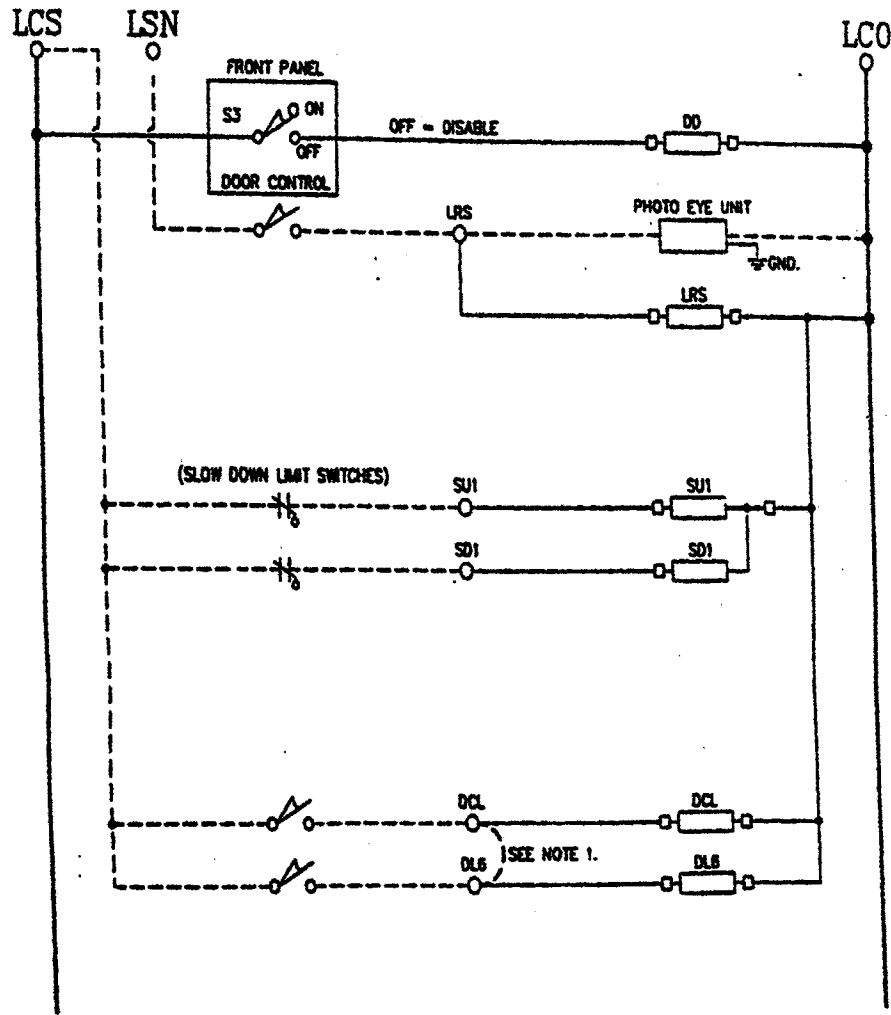


BRAKE CONTROL		NOTES
JOB NAME :		
DATE:		
DRAWN BY : JF	DWG. NO	



RECONNECT MOTOR FIELD IN SERIES/PARALLEL

L. A. MOTOR FIELD		NOTES
JOB NAME :		
DATE :		
DRAWN BY : JF		DWG. NO

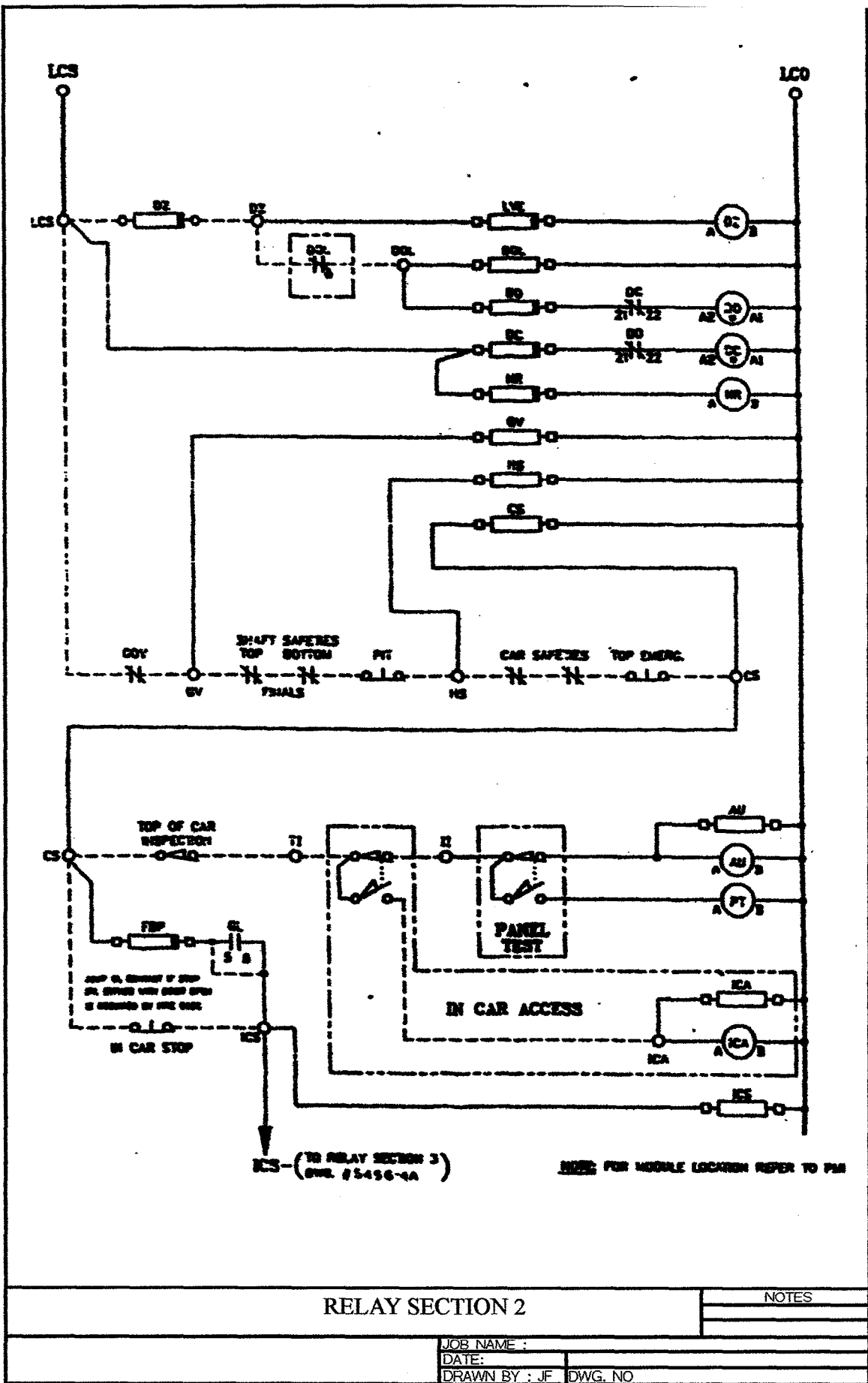


NOTES: 1. INSTALL A JUMPER, IF DOOR OPERATOR DOES HAVE AN EXTRA SWITCH FOR DL6
 2. FOR MODULE LOCATION REFER TO PM

RELAY SECTION 1

NOTES

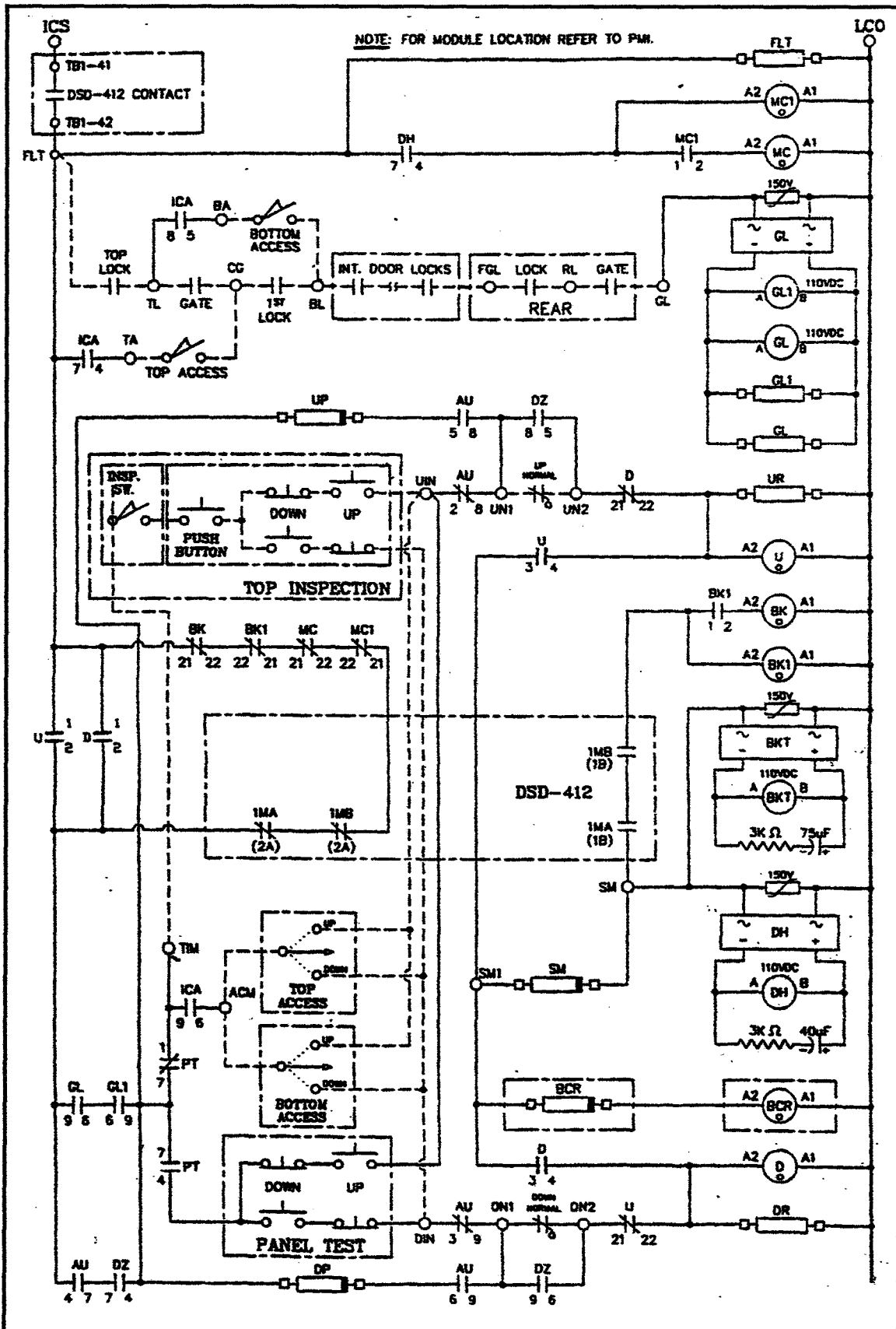
JOB NAME :
 DATE :
 DRAWN BY : JF DWG. NO



RELAY SECTION 2

NOTES

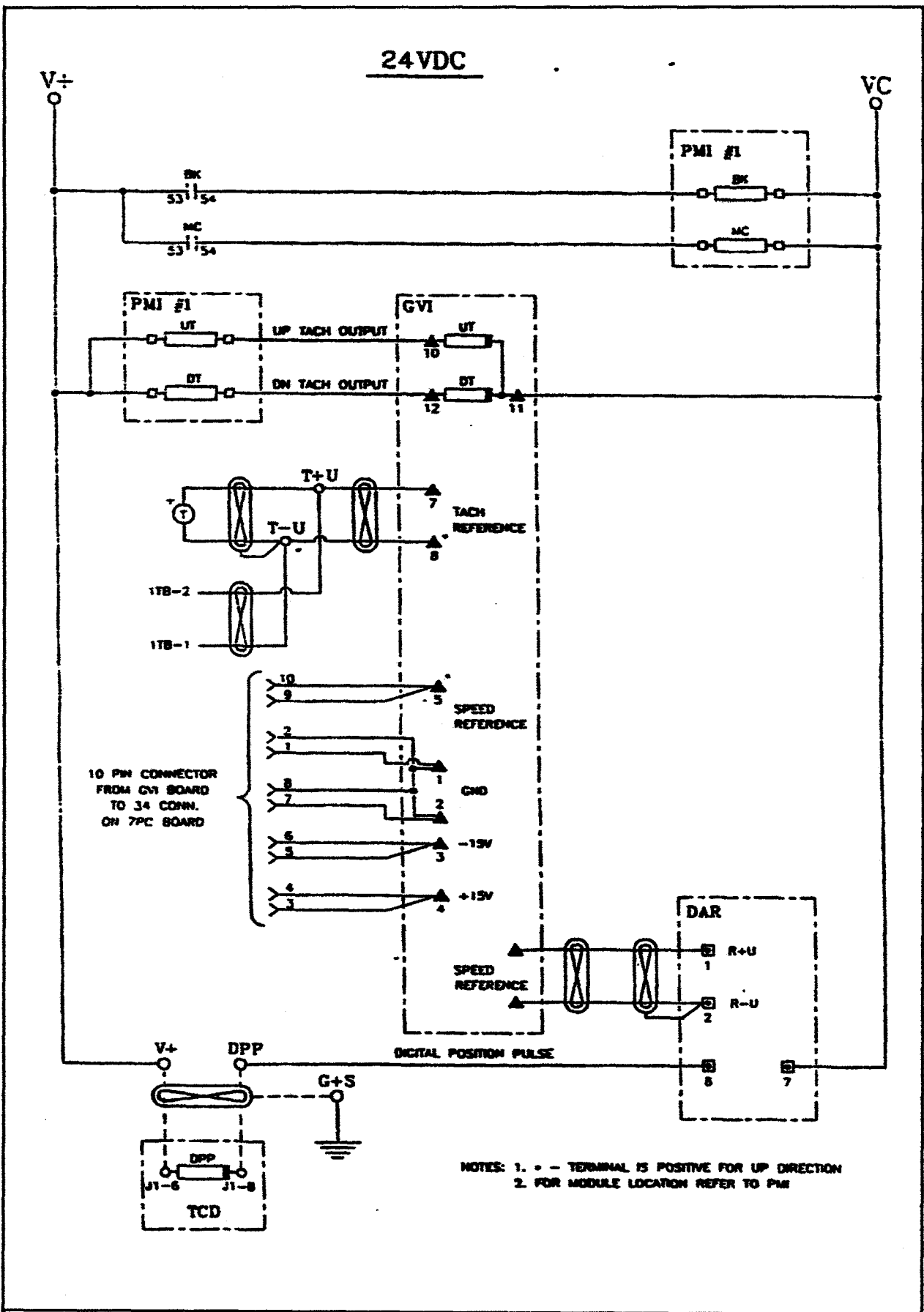
JOB NAME :	
DATE :	
DRAWN BY : JF	DWG. NO



RELAY SECTION 3

NOTES

JOB NAME :
 DATE :
 DRAWN BY : JF DWG. NO



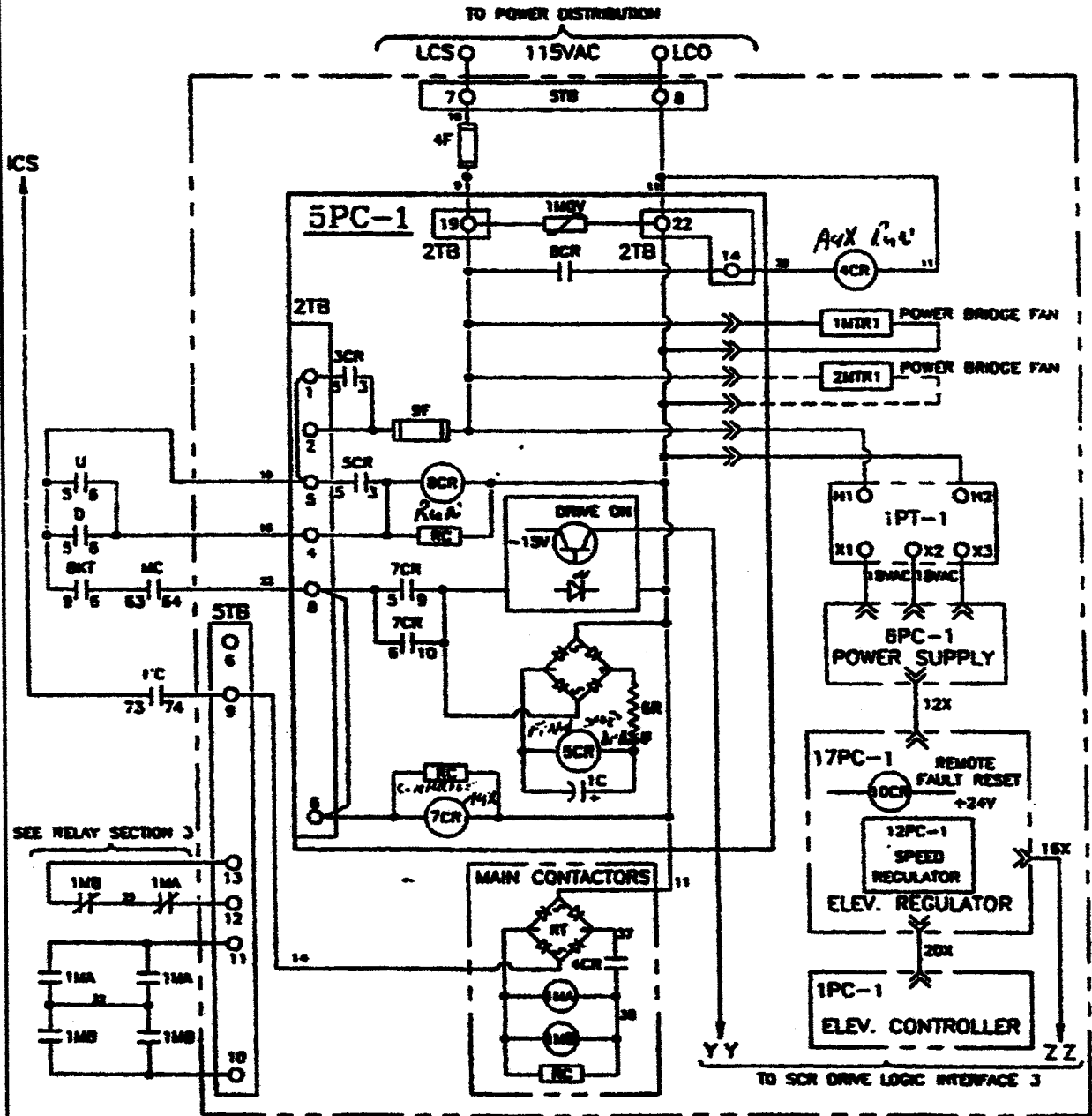
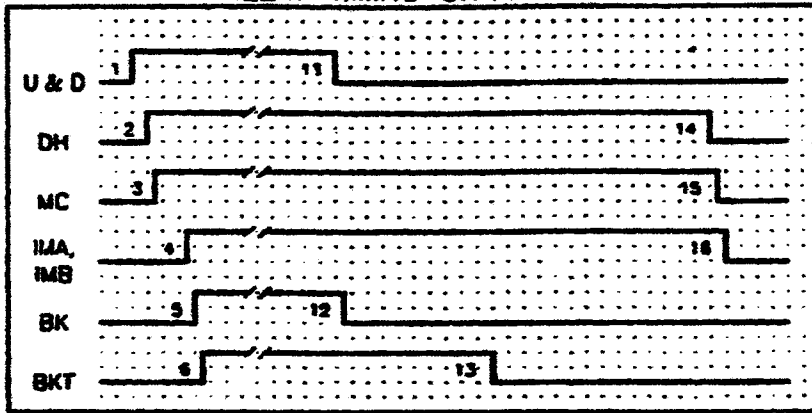
SCR DRIVE LOGIC INTERFACE 1

NOTES

JOB NAME : _____
 DATE: _____
 DRAWN BY : JF DWG. NO _____

RELAY TIMING CHART

1DM=25MSEC

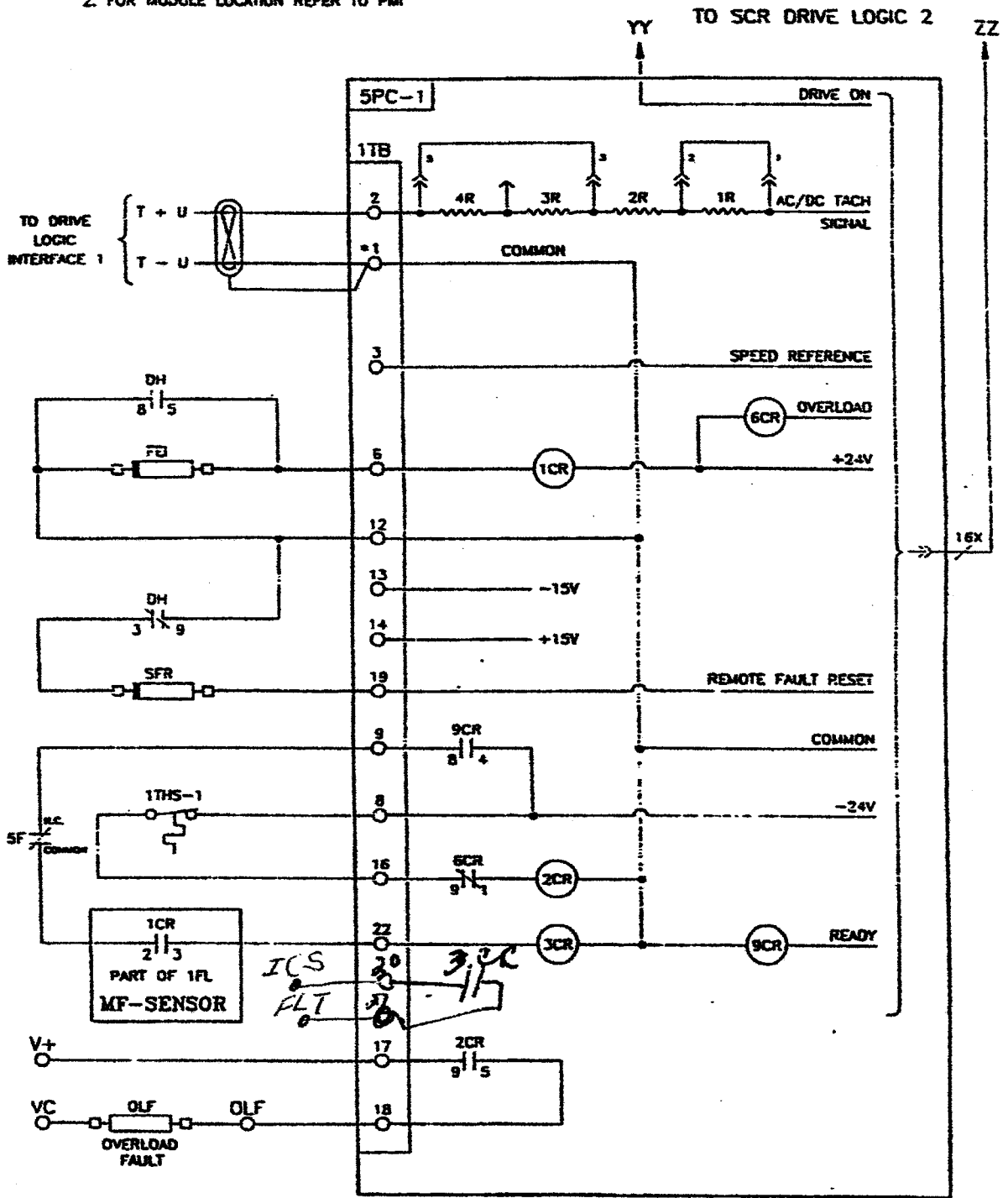


SCR DRIVE LOGIC INTERFACE 2

NOTES

JOB NAME :
 DATE :
 DRAWN BY : JF DWG. NO

- NOTES: 1. - - TERMINAL IS POSITIVE FOR UP DIRECTION
 2. FOR MODULE LOCATION REFER TO PM

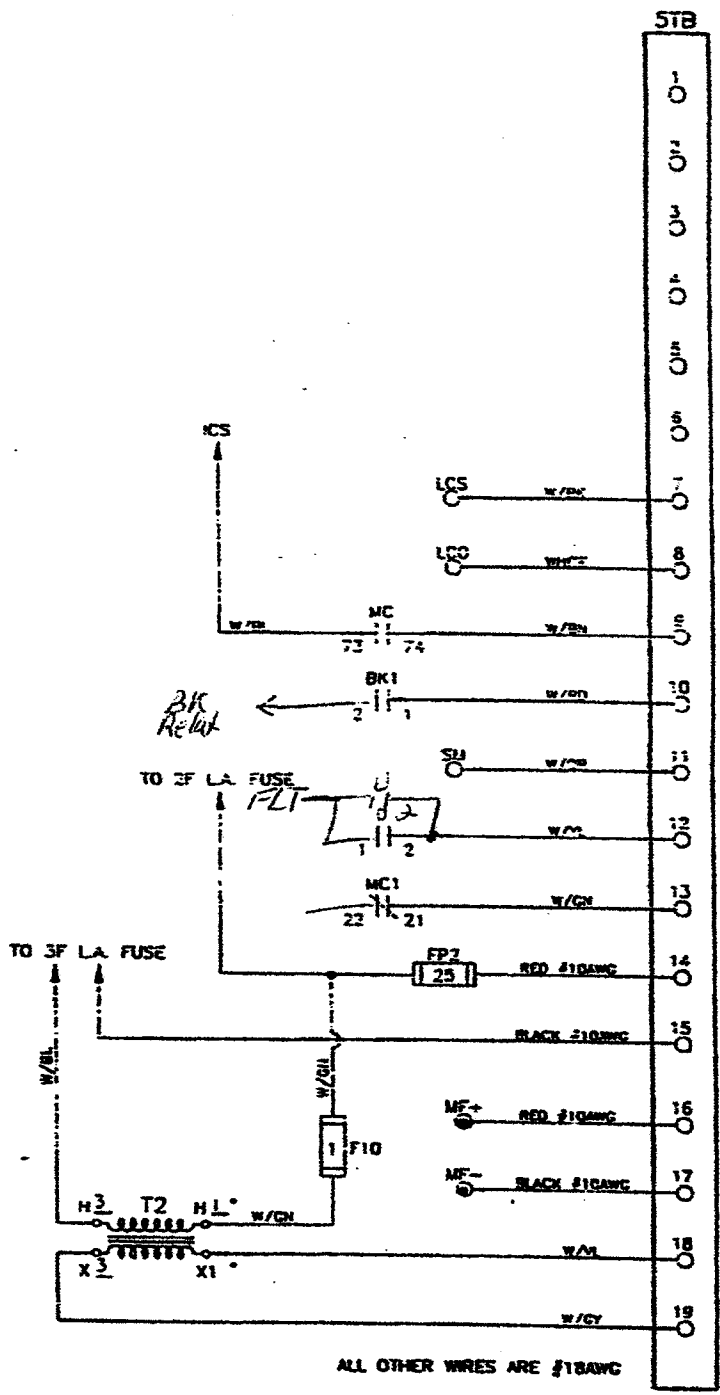
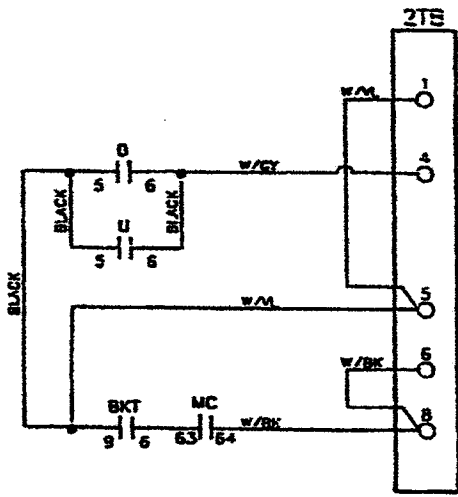
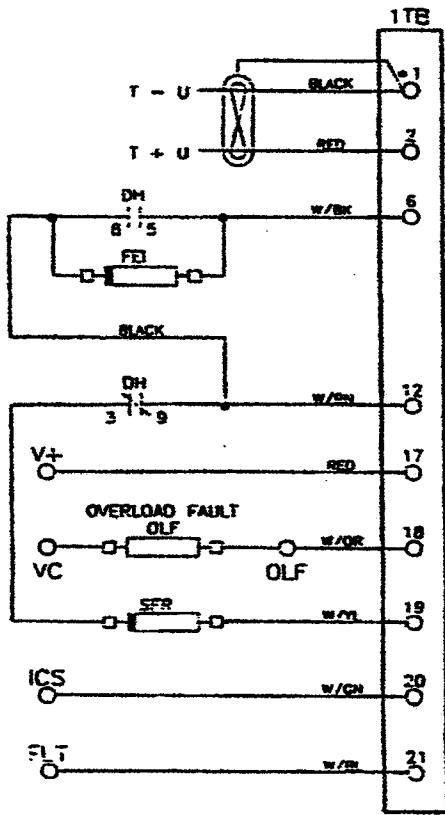


SCR DRIVE LOGIC INTERFACE 3

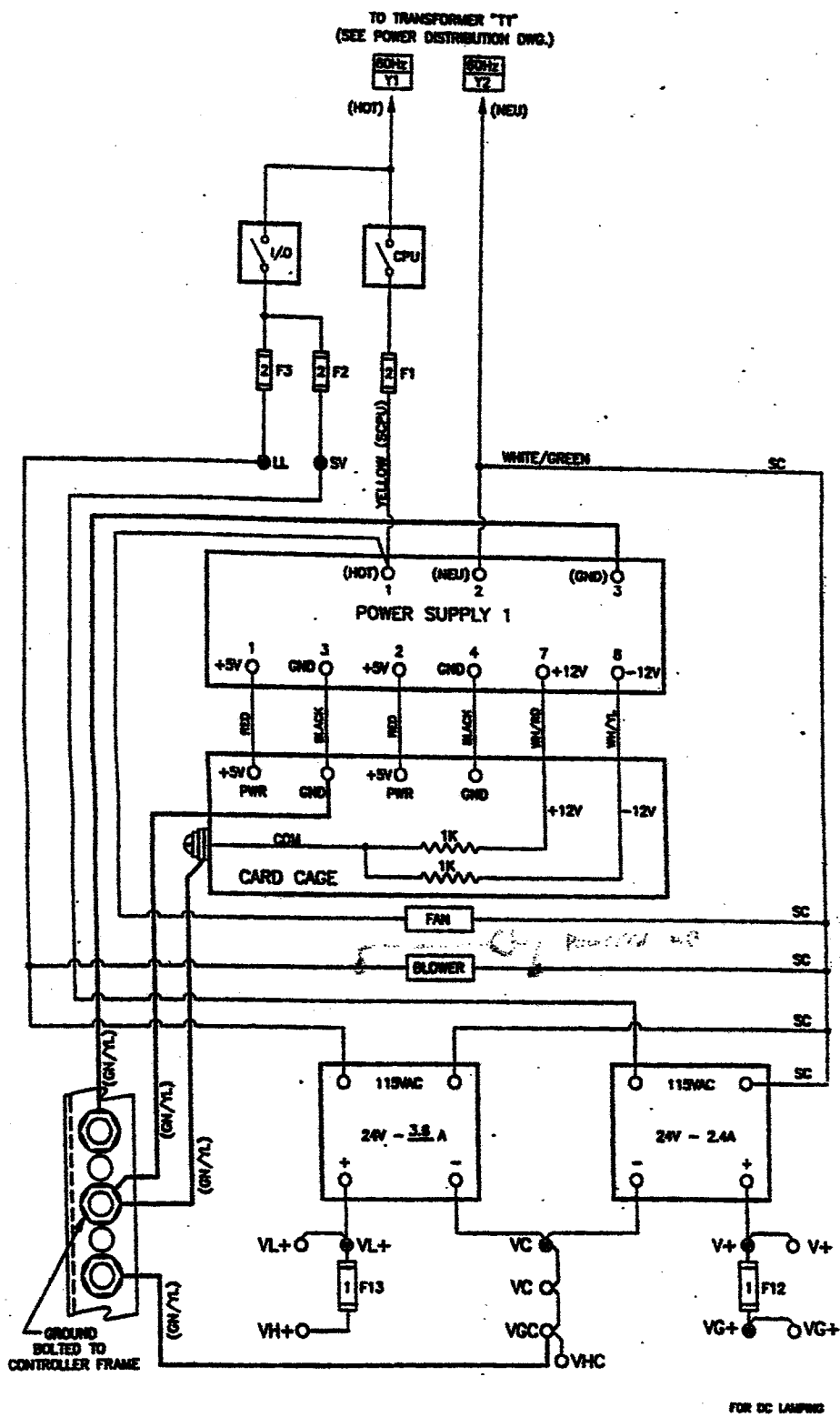
NOTES

JOB NAME :
 DATE :
 DRAWN BY : JF DWG. NO

- NOTES: 1. + - TERMINAL IS POSITIVE FOR UP DIRECTION
 2. FOR MODULE LOCATION REFER TO PM



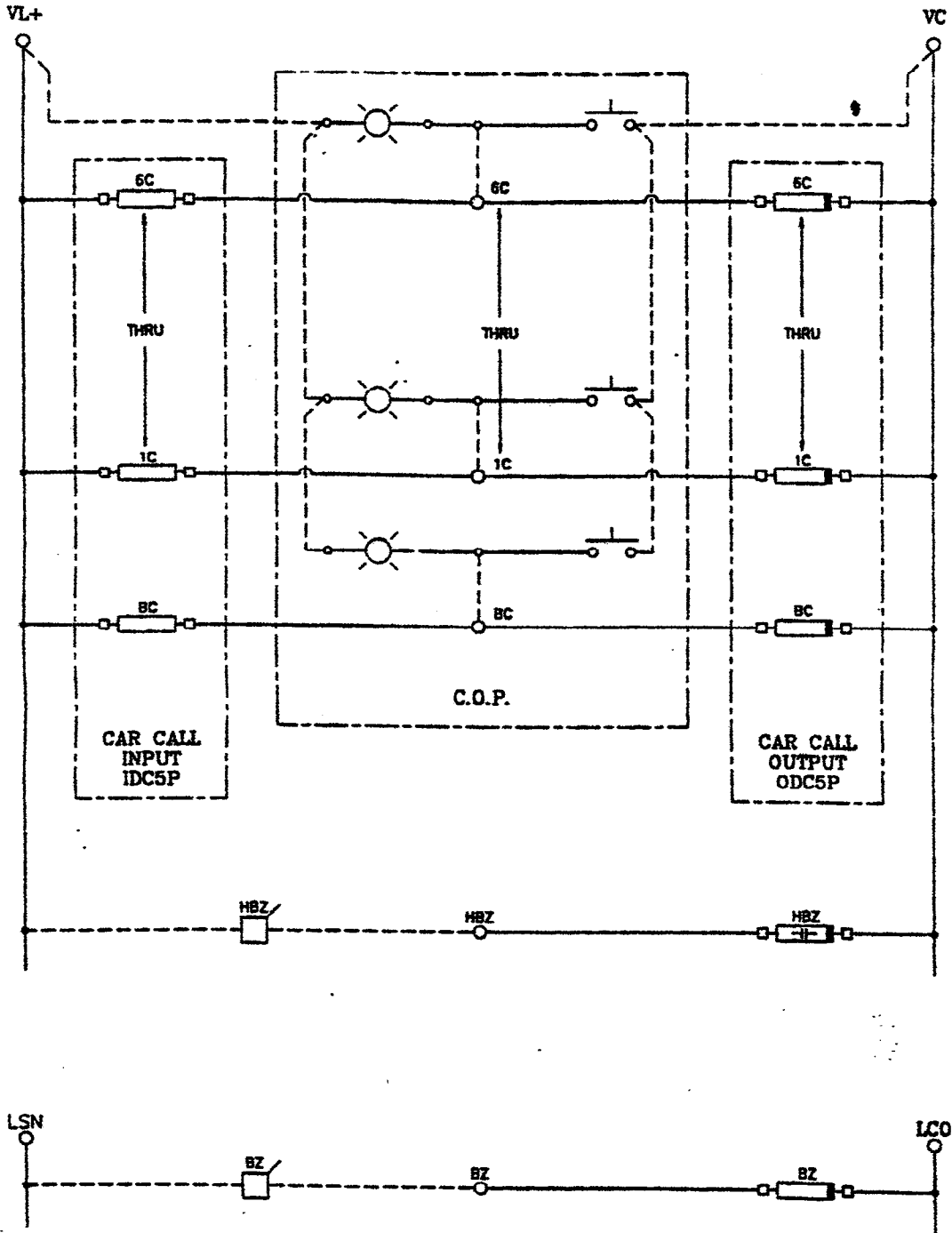
SWIFT - 5000 MAGNETEK INTERCONNECTION DIAGRAM		NOTES	
JOB NAME :			
DATE :			
DRAWN BY : JF		DWG. NO	



SIMPLEX LOW VOLTAGE POWER SUPPLY

JOB NAME :	
DATE:	
DRAWN BY : JF	DWG. NO

VOLTAGE: 24VDC



PMI INTERFACE CAR CALL

NOTES

JOB NAME :

DATE:

DRAWN BY : JF DWG. NO