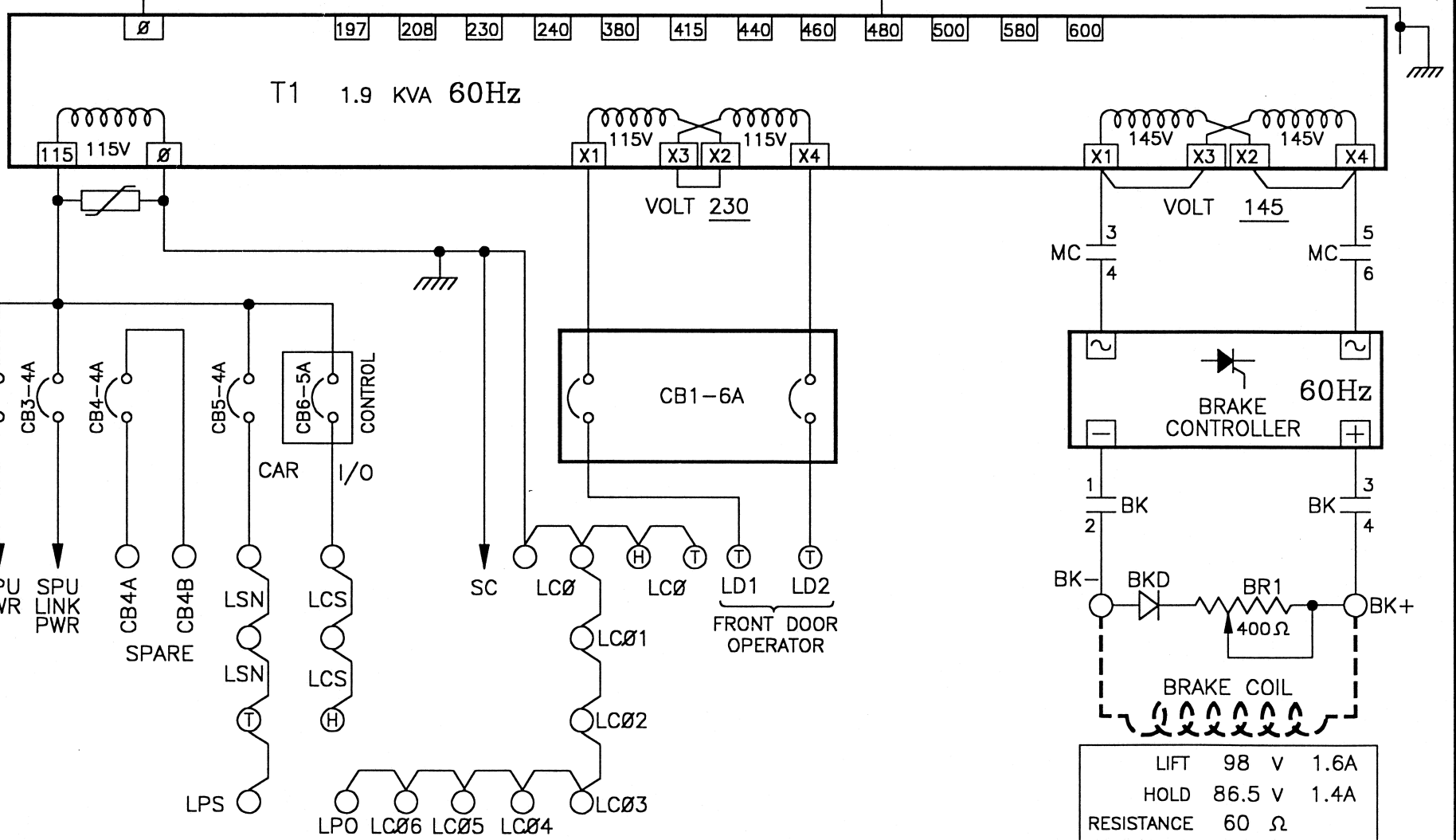
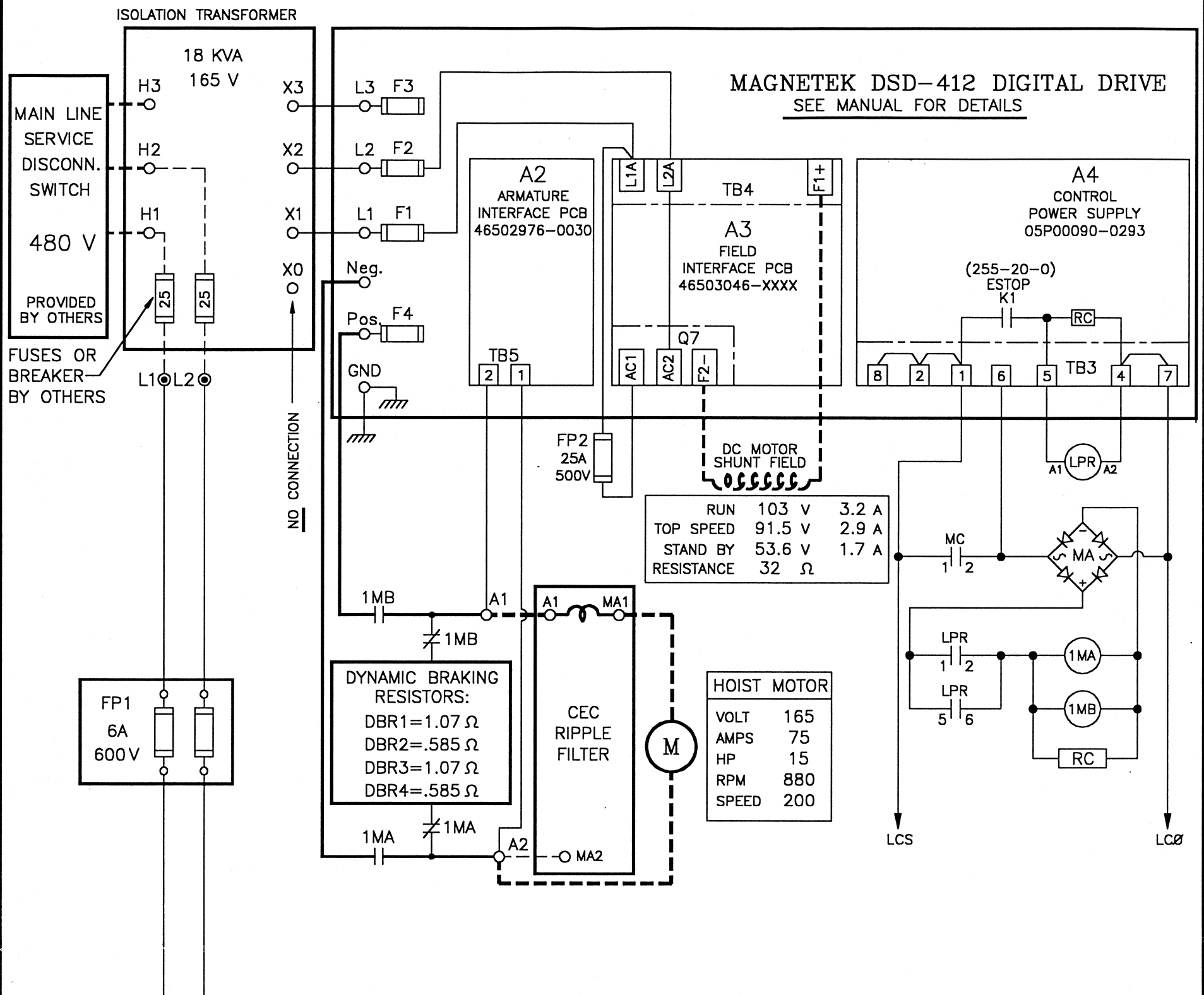


USE COPPER CONDUCTORS ONLY



DSD412

POWER DISTRIBUTION

DRAWING NUM
025

COMPUTERIZED ELEVATOR CONTROL CORP.
636 11TH AVENUE NEW YORK, NEW YORK 10036 TEL. (212) 397-0606

JOB NAME/LOC.: EMBASSY SQUARE SUITES WA, DC (AMTECH)
 DATE: 04/12/96 CEC JOB NO. 2989 CAR NO. 3
 DRAWN BY: NF DWG. NO. 025PWR REV. 5-30-95

04/12/96 08:27 E:\JOBS\2900\2989\025PWR.DWG