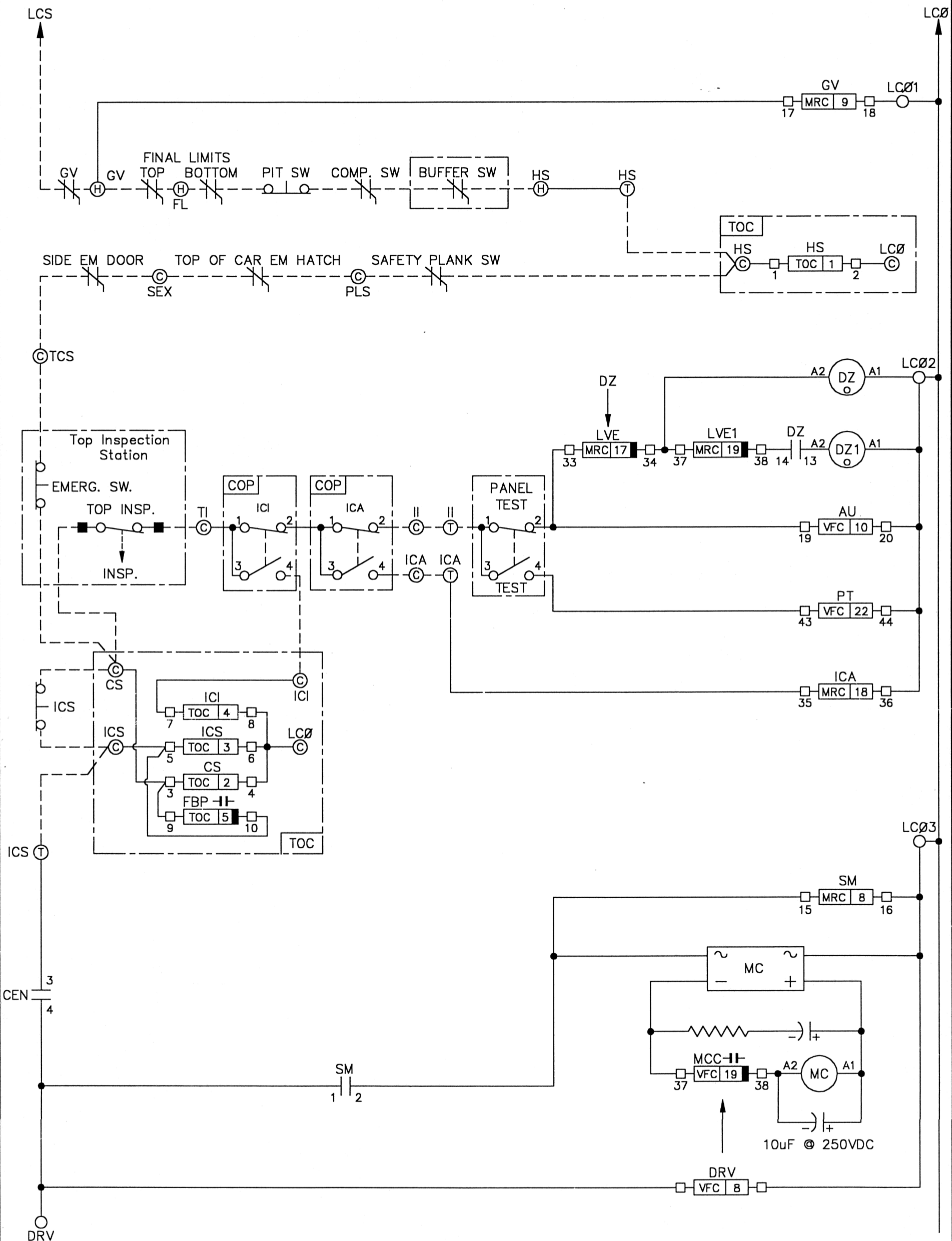


USE COPPER CONDUCTORS ONLY



| | | |
|--|--|--|
| DSD412 | RELAY CONTROLLER W/TOC BOX (SECTION A) | DRAWING NUM 065 |
| COMPUTERIZED ELEVATOR CONTROL CORP. | | JOB NAME/LOC.: EMBASSY SQUARE SUITES WA, DC (AMTECH) |
| 636 11TH AVENUE NEW YORK, NEW YORK 10036 TEL. (212) 397-0606 | | DATE: 04/12/96 CEC JOB NO. 2989 CAR NO. 1 THRU 4 |
| | | DRAWN BY: NF DWG. NO. 065REL-A REV. 3-9-95 |

04/12/96 08:41 E:\JOBS\2900\2989\065REL-A.DWG