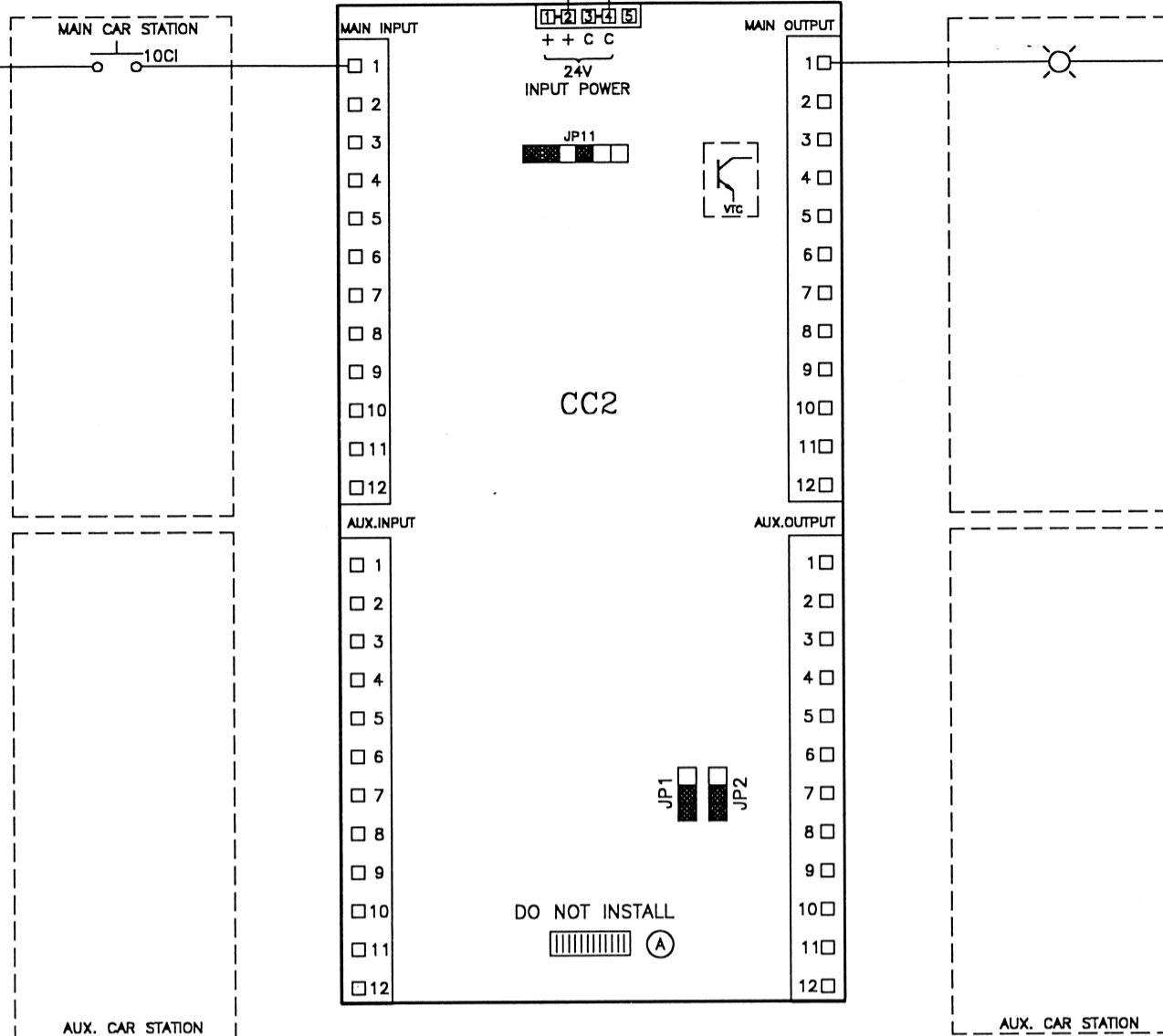


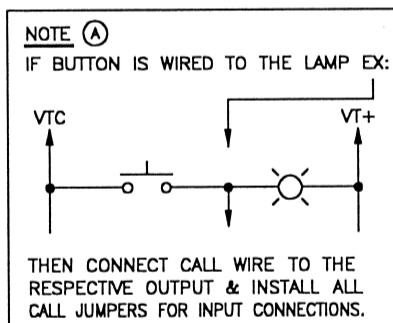
VTC

24VDC ONLY

+24VDC
VT+



REFER TO SMI SHEETS FOR I/O
LOCATION AND FLOOR MARKING



EPU INTERFACE

CEC PART#

110

COMPUTERIZED ELEVATOR CONTROL CORP.
636 11TH AVENUE NEW YORK, NEW YORK 10036 TEL. (212) 397-0606

JOB NAME/LOC.: EMBASSY SQUARE SUITES WA, DC (AMTECH)		
DATE: 04/12/96	CEC JOB NO. 2989	CAR NO. 1 THRU 4
DRAWN BY: SF	DWG. NO. 110EPU	REV. 3-95