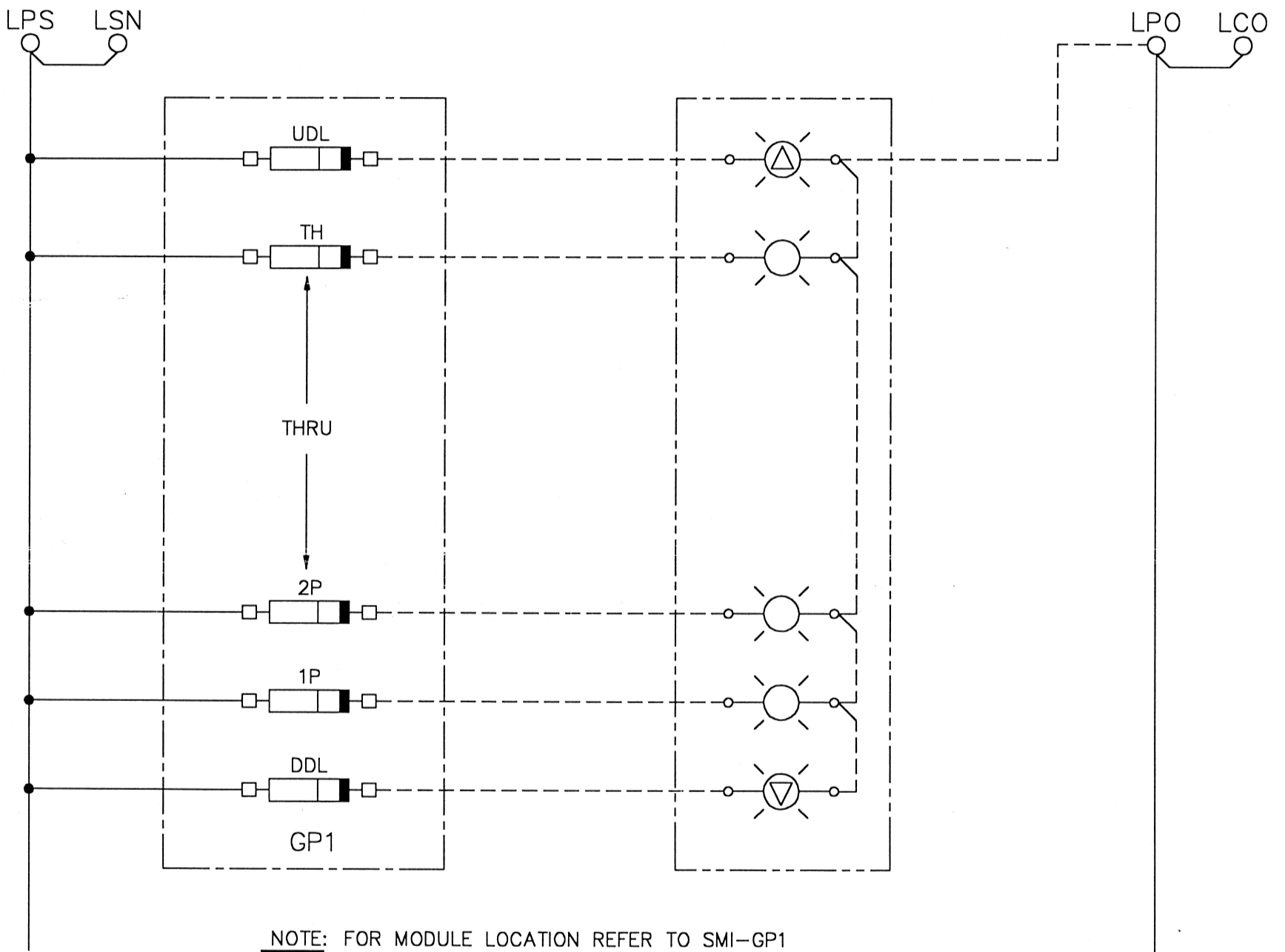


VOLTAGE: 115 VAC



NOTE: FOR MODULE LOCATION REFER TO SMI-GP1

SMI-GP1 STANDARD PI INTERFACE

DRAWING NUM
130

COMPUTERIZED ELEVATOR CONTROL CORP.
636 11TH AVENUE NEW YORK, NEW YORK 10036 TEL. (212) 397-0606

| | | |
|--|-------------------|------------------|
| JOB NAME/LOC.: EMBASSY SQUARE SUITES WA, DC (AMTECH) | | |
| DATE: 04/12/96 | CEC JOB NO. 2989 | CAR NO. 1 THRU 4 |
| DRAWN BY: SF | DWG. NO. 130POSIT | REV. 8-1-94 |