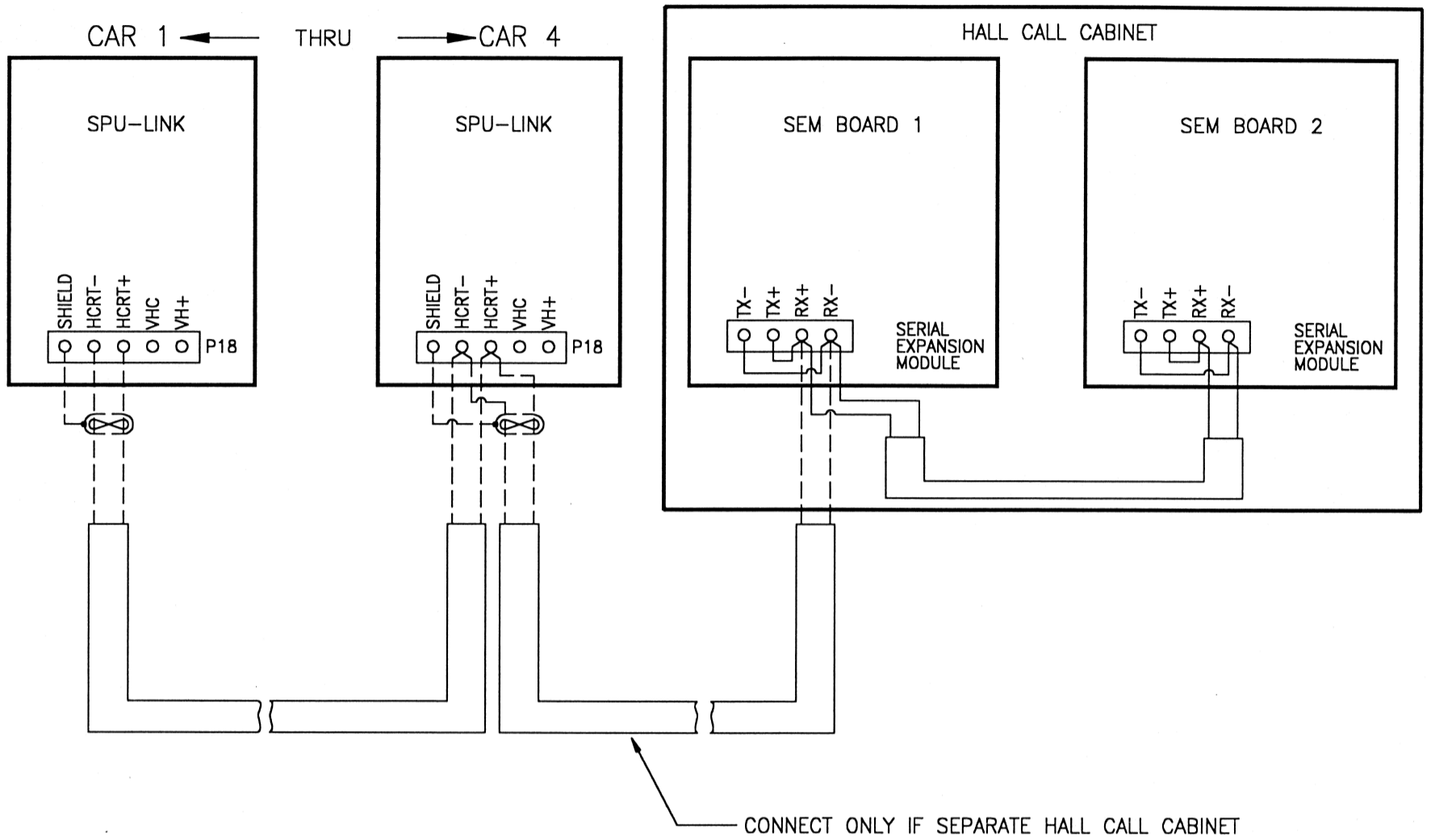


USE COPPER CONDUCTORS ONLY



CONNECTION TABLE

CAR 1	CAR 2	CAR 4	HALL CALL BOX
HCRT- →	HCRT- →	HCRT- →	TX- RX-
HCRT+ →	HCRT+ →	HCRT+ →	TX+ RX+

CAR TO GROUP HALL CALL COMM

DRAWING NUM  
180

COMPUTERIZED ELEVATOR CONTROL CORP.  
636 11TH AVENUE NEW YORK, NEW YORK 10036 TEL. (212) 397-0606

JOB NAME/LOC.: EMBASSY SQUARE SUITES WA, DC (AMTECH)	DATE: 04/12/96	CEC JOB NO. 2989	CAR NO. 1 THRU 4
DRAWN BY: NF	DWG. NO. 180CTGHC	REV. 4-95	