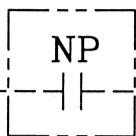


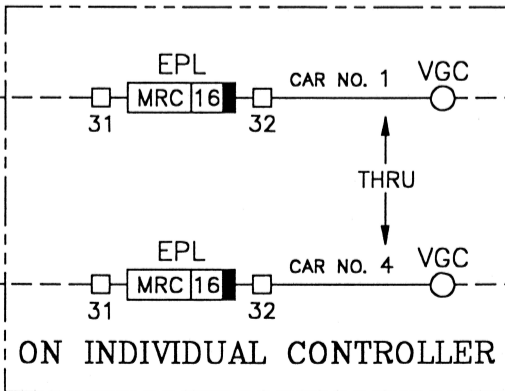
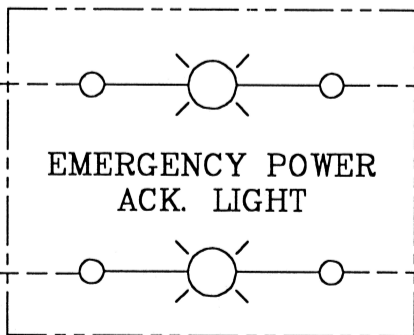
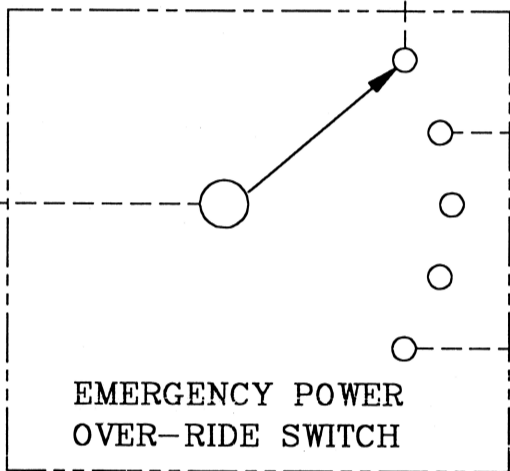
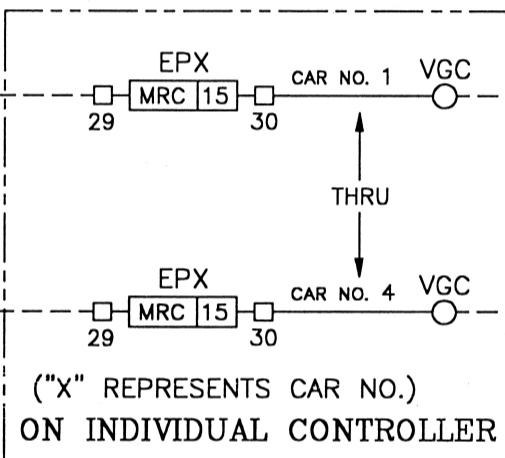
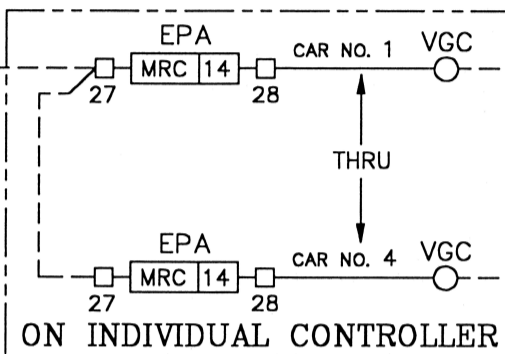
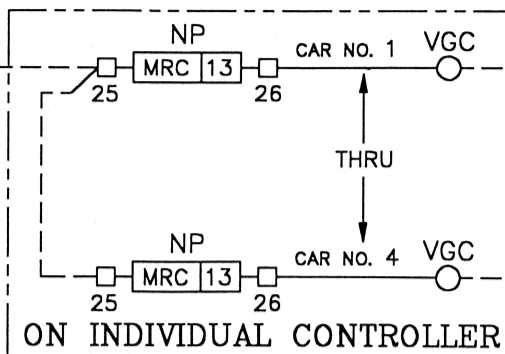
USE COPPER CONDUCTORS ONLY

VG+

VGC



CONTACT "NP" IS CLOSED WHEN AUTO TRANSFER SWITCH IS IN THE NORMAL POWER POSITION AND OPENS WHEN THE SWITCH IS IN THE EMERGENCY POWER POSITION.



EMERGENCY POWER CIRCUITRY

DRAWING NUM
200

COMPUTERIZED ELEVATOR CONTROL CORP.
636 11TH AVENUE NEW YORK, NEW YORK 10036 TEL. (212) 397-0606

JOB NAME/LOC.: EMBASSY SQUARE SUITES WA, DC (AMTECH)		
DATE: 04/12/96	CEC JOB NO. 2989	CAR NO. 1 THRU 4
DRAWN BY: NF	DWG. NO. 200EMERG	REV. 12-29-94

04/12/96 11:21 E:\JOBS\2900\2989\200EMERG.DWG