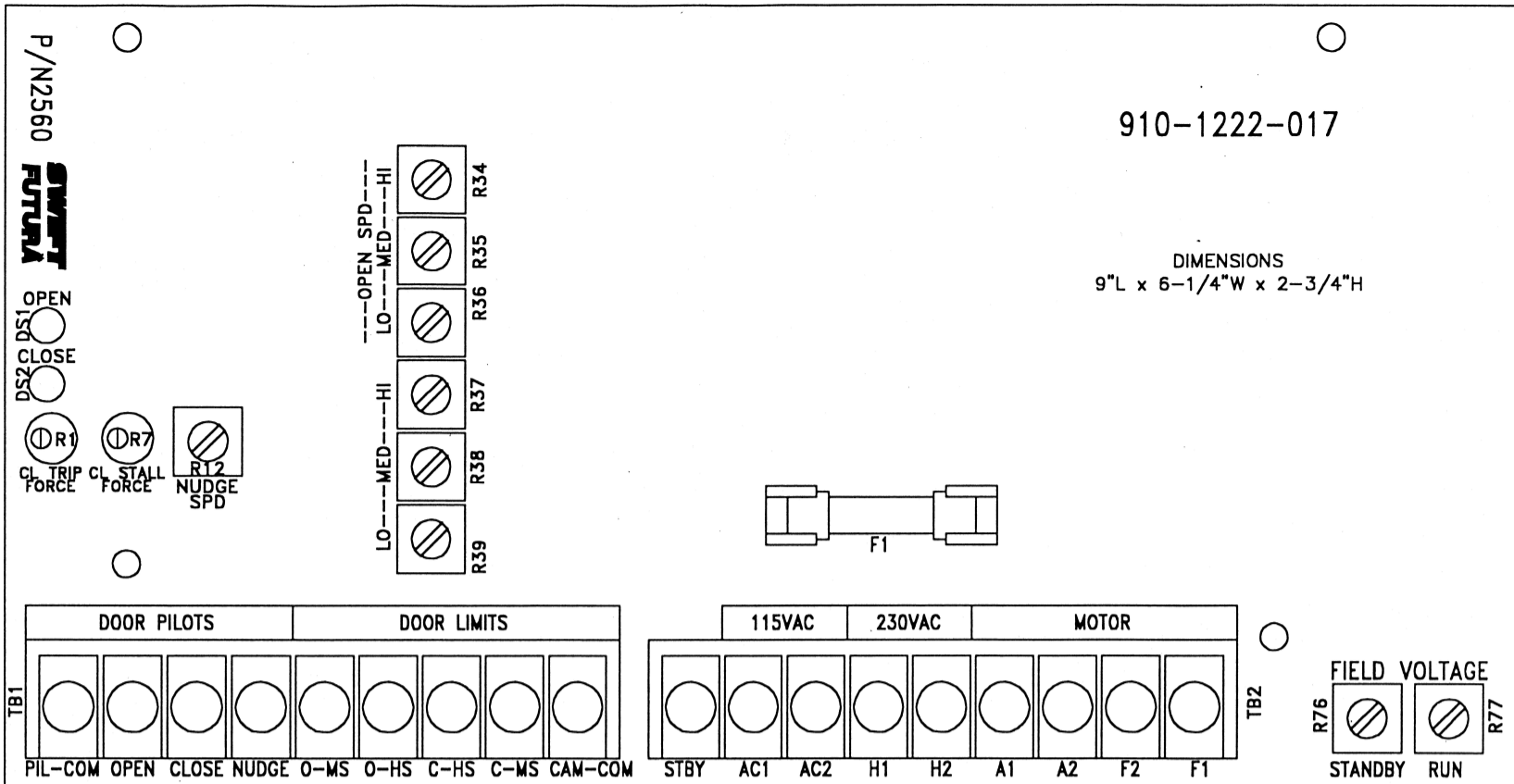


USE COPPER CONDUCTORS ONLY



910-1222-017

DIMENSIONS  
9"L x 6-1/4"W x 2-3/4"H

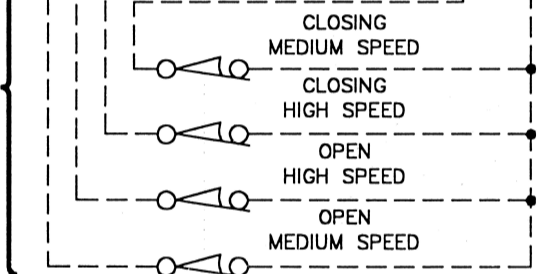
FACTORY INSTALLED JUMPER

34 36 32  
TOC SMI BOARD

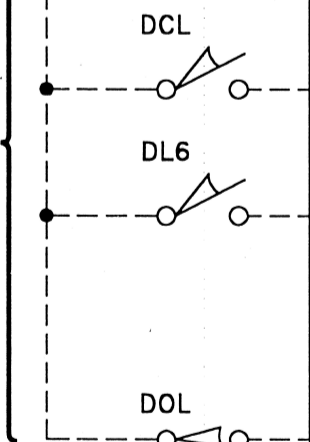
MOTOR FIELD

DOOR MOTOR ARMATURE

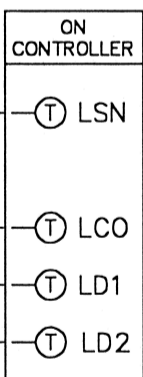
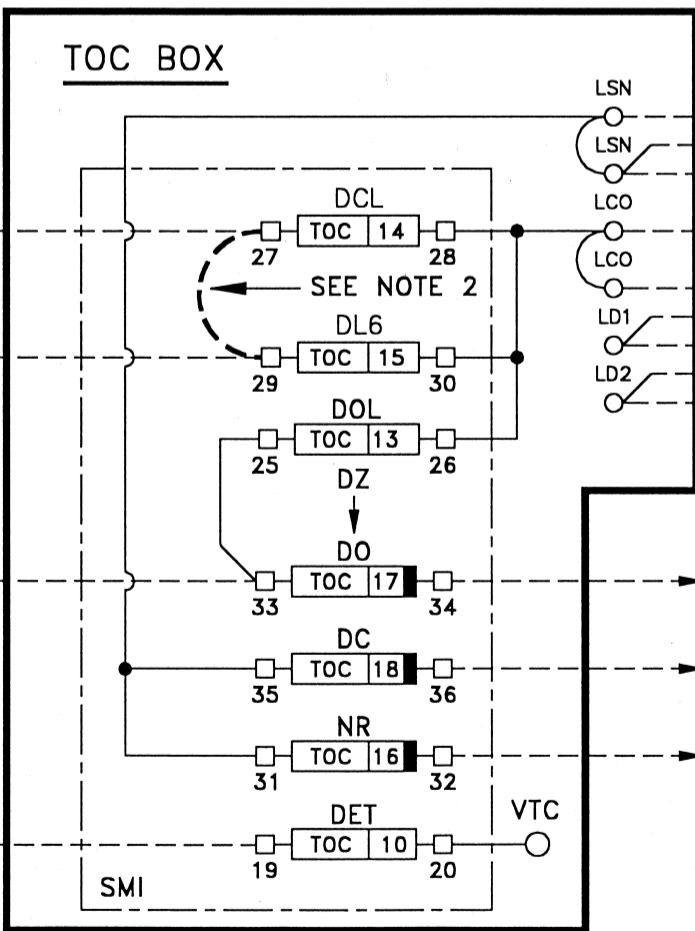
**CAUTION:**  
LOW VOLTAGE WIRING



**CAUTION:**  
HIGH VOLTAGE 115VAC



TOC BOX



TB1  
OPEN  
CLOSE  
NUDDGE

NOTE 1: SHOWN WITH DOOR FULLY CLOSED

NOTE 2: INSTALL A JUMPER, IF DOOR OPERATOR DOES NOT HAVE AN EXTRA SWITCH FOR DL6

# FUTURA GAL DOOR OPERATOR INTERFACE (FRONT)

DRAWING NUM  
**220**

COMPUTERIZED ELEVATOR CONTROL CORP.

636 11TH AVENUE NEW YORK, NEW YORK 10036 TEL. (212) 397-0606

JOB NAME/LOC.: EMBASSY SQUARE SUITES WA, DC (AMTECH)

DATE: 04/12/96 CEC JOB NO. 2989 CAR NO. 1 THRU 4

DRAWN BY: SF DWG. NO. 220FGAL REV.

04/12/96 11:24 E:\JOBS\2900\2989\220FGAL.DWG